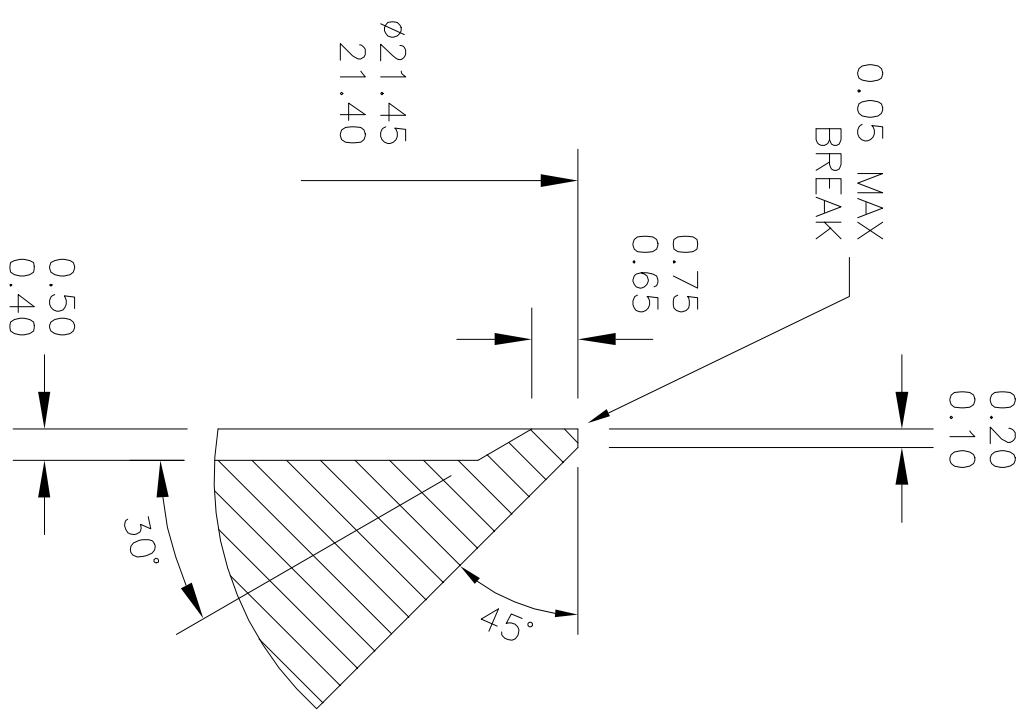
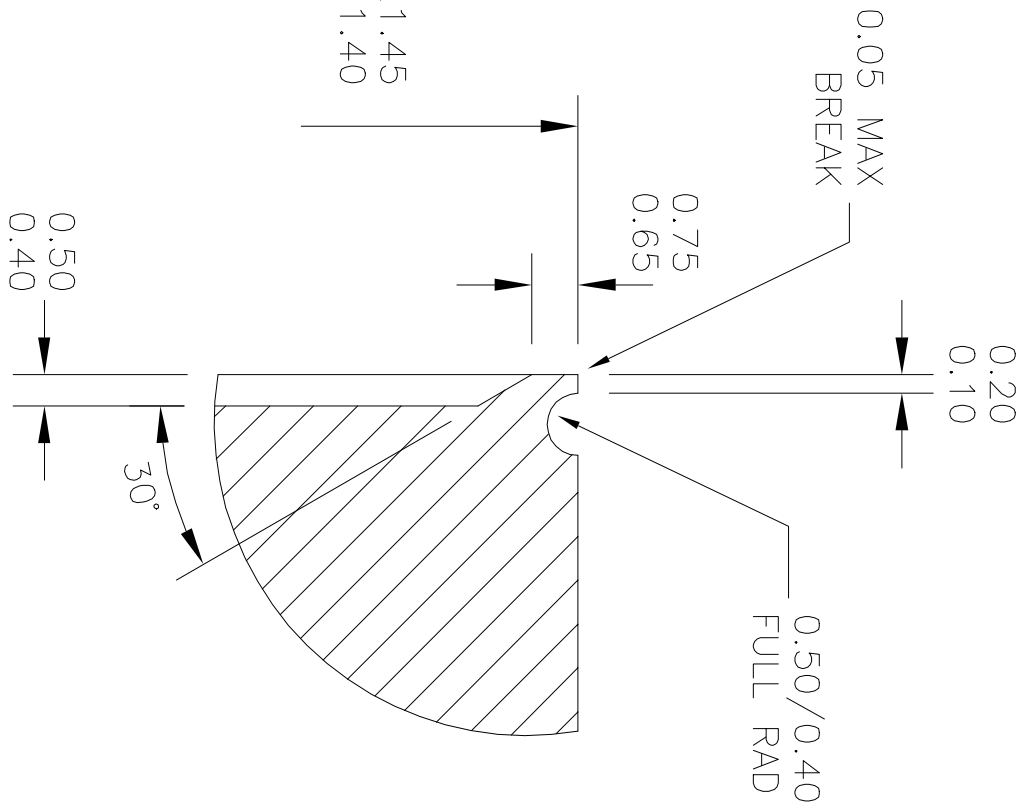


ITEM	DESCRIPTION	QTY	PART NUMBER
—	WELD PREP DETAILS	—	—



REV	ECN	DRAWN	APPD	DATE
---	---	SKETCH	---	14/04/05

CONFIDENTIALITY

THIS DRAWING IS PROPRIETARY & REMAINS THE PROPERTY OF EWB SOLUTIONS. DISCLOSURE &/OR REPRODUCTION BY ANY METHOD IS NOT PERMITTED WITHOUT OBTAINING WRITTEN AUTHORISATION

TOLERANCES UNLESS OTHERWISE STATED

0 DEC PLACES ±0.25
 1 DEC PLACE ±0.10
 2 DEC PLACES ±0.05
 ANGLES ±2°

MACHINED SURFACES $\sqrt{0.8}$

THIRD ANGLE PROJECTION

UNLESS OTHERWISE SPECIFIED ALL DIMENSIONS ARE IN MM & SURFACE FINISHES IN $\mu\text{m Ra}$
 COMMON CENTRE LINES SHALL BE WITHIN 0.25
 BREAK ALL SHARP EDGES 0.10/0.20
 FILETS & CORNERS SHALL BE 0.40 MAX

EWB Solutions

TITLE: WELD PREP DETAILS

MATERIAL: ---

DRWG NO: D01WP

REV: ---