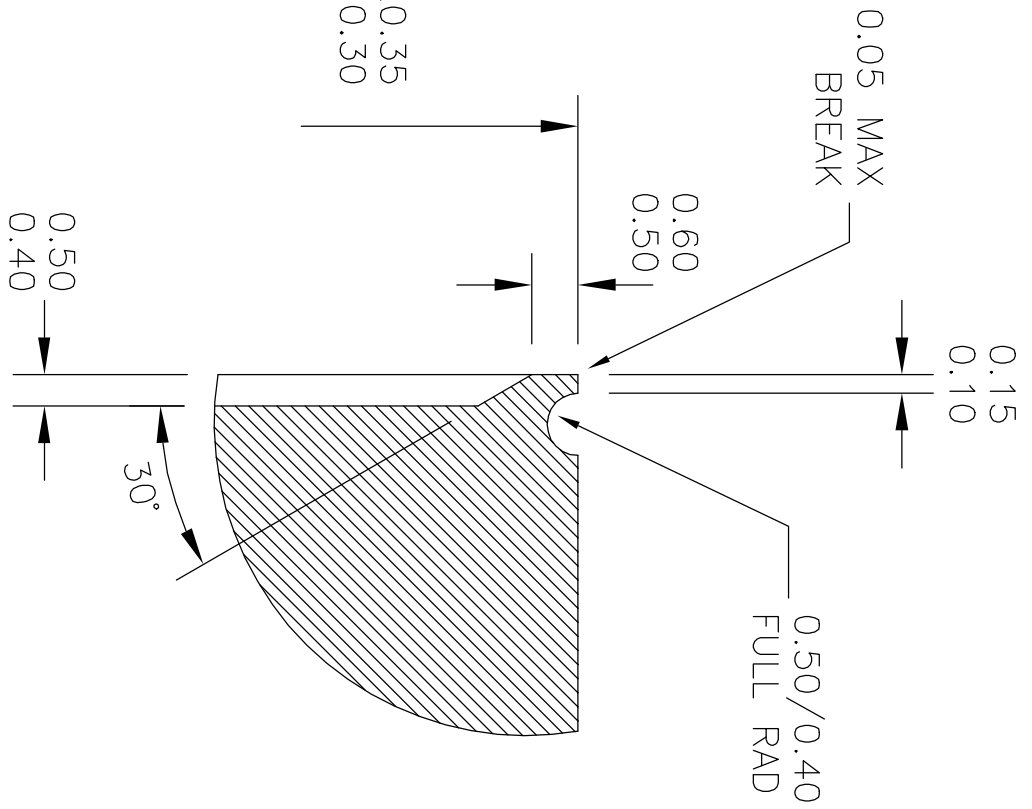
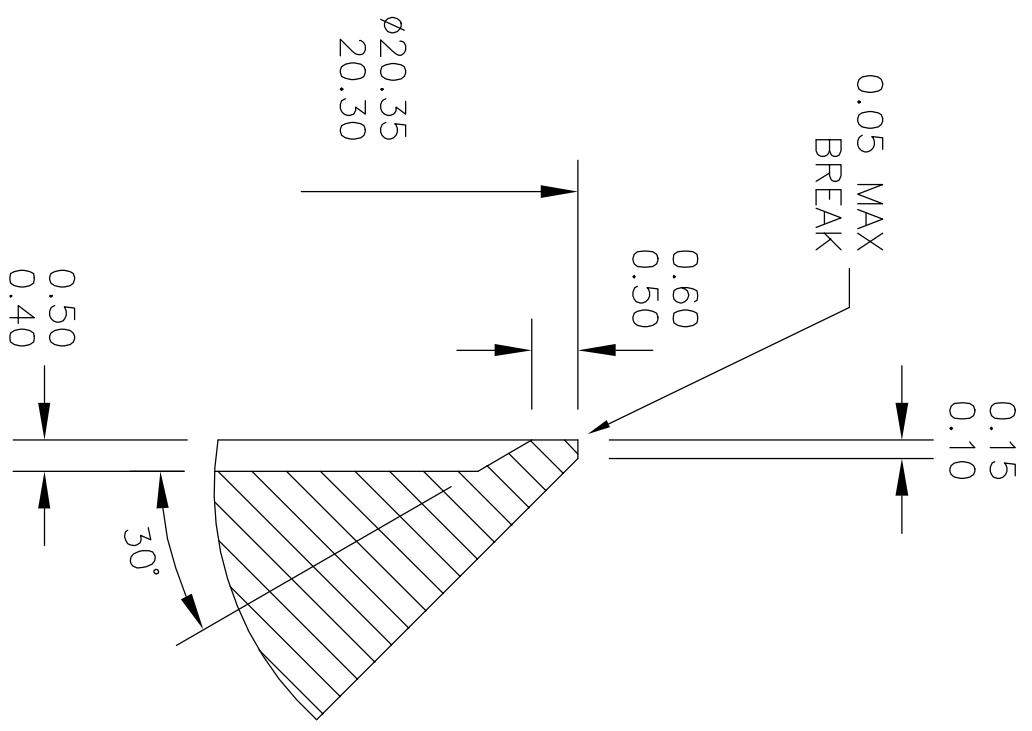


ITEM	DESCRIPTION	QTY	PART NUMBER
—	WELD PREP DETAILS	—	—



OR



REV	ECN	DRAWN	APPD	DATE
---	---	SKETCH	---	15/11/05

CONFIDENTIALITY

THE INFORMATION DISCLOSED IN THIS DRAWING IS PROPRIETARY & REMAINS THE PROPERTY OF EWB SOLUTIONS. DISCLOSURE &/OR REPRODUCTION BY ANY METHOD IS NOT PERMITTED WITHOUT OBTAINING WRITTEN AUTHORIZATION

TOLERANCES UNLESS OTHERWISE STATED

0 DEC PLACES ±0.25
 1 DEC PLACE ±0.10
 2 DEC PLACES ±0.05
 ANGLES ±2°

MACHINED SURFACES $\sqrt{0.8}$

THIRD ANGLE PROJECTION

UNLESS OTHERWISE SPECIFIED ALL DIMENSIONS ARE IN MM & SURFACE FINISHES IN μm Ra
 COMMON CENTRE LINES SHALL BE WITHIN 0.25
 BREAK ALL SHARP EDGES 0.10/0.20
 FILETS & CORNERS SHALL BE 0.40 MAX

EWB Solutions

TITLE: WELD PREP DETAILS

MATERIAL: ---

DRWG NO: D02WP

REV: ---