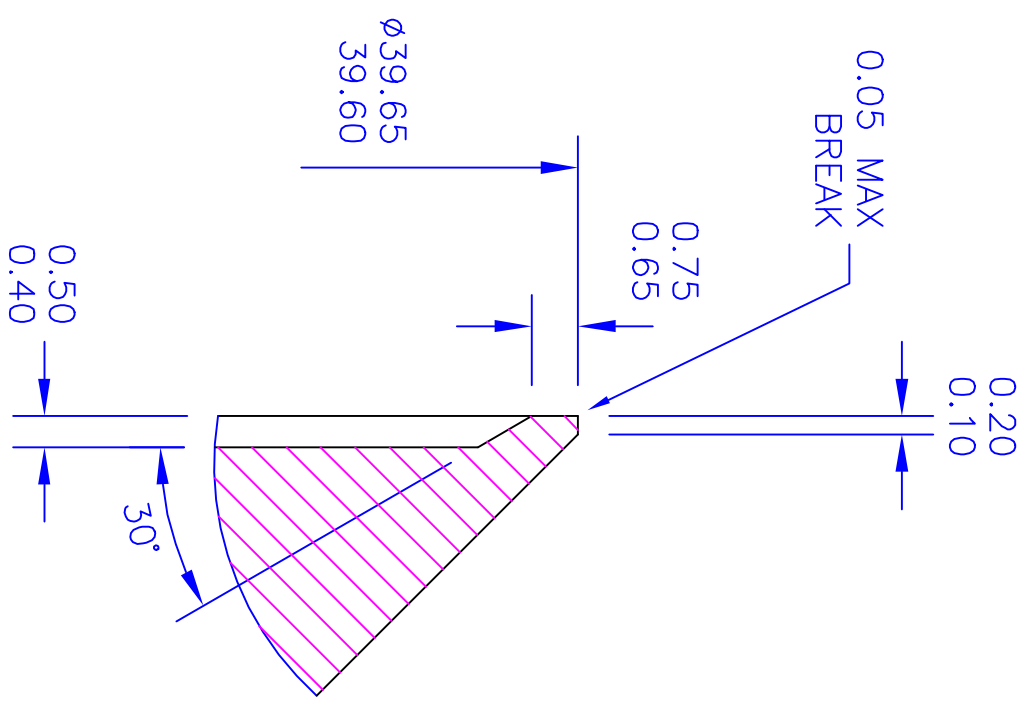
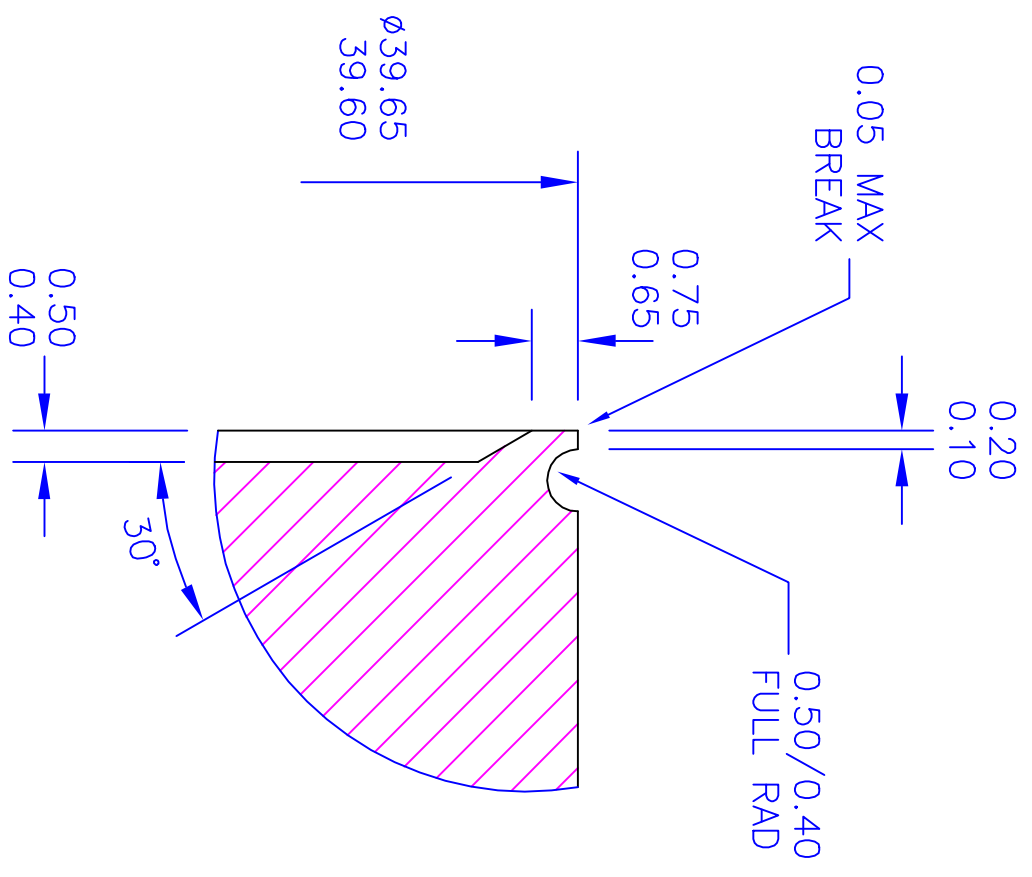


ITEM	DESCRIPTION	QTY	PART NUMBER
-	WELD PREP DETAILS	-	-



REV	ECN	DRAWN	APPD	DATE
-	-	SKETCH	-	14/04/05

CONFIDENTIALITY

THE INFORMATION DISCLOSED IN THIS DRAWING IS PROPRIETARY & REMAINS THE PROPERTY OF EMB SOLUTIONS. DISCLOSURE &/OR REPRODUCTION BY ANY METHOD IS NOT PERMITTED WITHOUT OBTAINING WRITTEN AUTHORISATION

TOLERANCES UNLESS OTHERWISE STATED

0 DEC PLACES ±0.25

1 DEC PLACE ±0.10

2 DEC PLACES ±0.05

ANGLES ±2°

MACHINED SURFACES

0.8

THIRD ANGLE PROJECTION

UNLESS OTHERWISE SPECIFIED ALL DIMENSIONS ARE IN MM & SURFACE FINISHES IN µm Ra

COMMON CENTRE LINES SHALL BE WITHIN 0.25

BREAK ALL SHARP EDGES 0.10/0.20

FILETS & CORNERS SHALL BE 0.40 MAX

EMB Solutions

TITLE: **WELD PREP DETAILS**

MATERIAL: -

DRWG NO: **D06WP**

REV: -