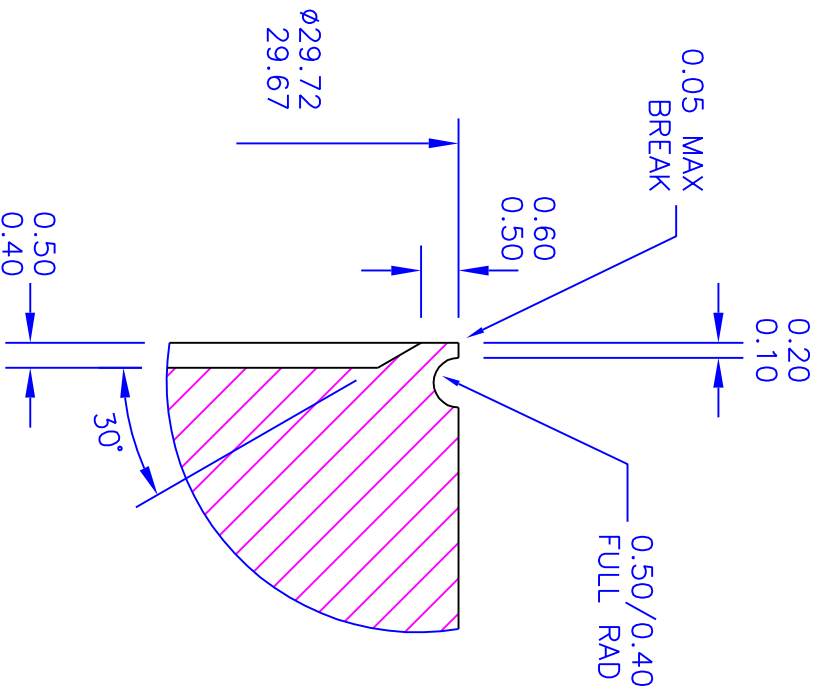
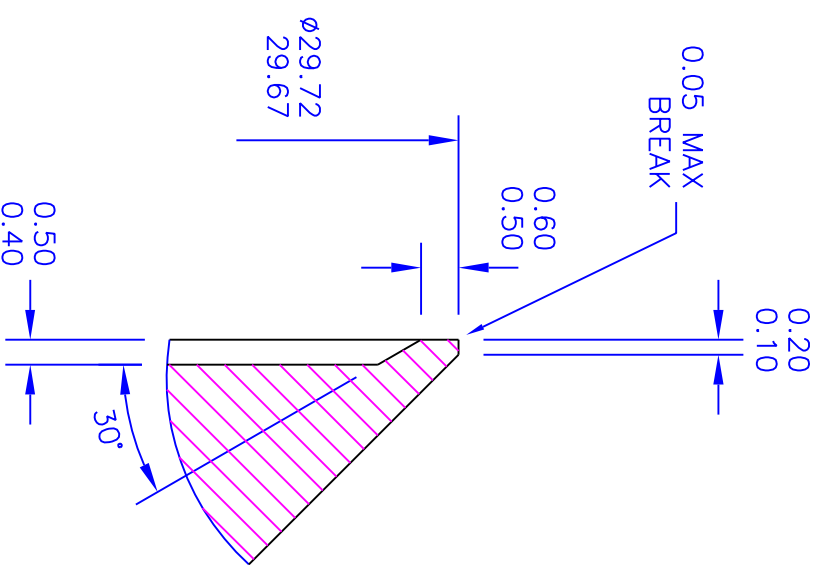


ITEM	DESCRIPTION	QTY	PART NUMBER
-	WELD PREP DETAILS	-	-



OR



CONFIDENTIALITY
 THE INFORMATION DISCLOSED IN THIS DRAWING IS PROPERTY OF EMB SOLUTIONS. DISCLOSURE &/OR REPRODUCTION BY ANY METHOD IS NOT PERMITTED WITHOUT OBTAINING WRITTEN AUTHORIZATION

TOLERANCES UNLESS OTHERWISE STATED
 0 DEC PLACES ±0.25
 1 DEC PLACE ±0.10
 2 DEC PLACES ±0.05
 ANGLES ±2°
 MACHINED SURFACES

THIRD ANGLE PROJECTION

UNLESS OTHERWISE SPECIFIED ALL DIMENSIONS ARE IN MM & SURFACE FINISHES IN µm R_a COMMON CENTRE LINES SHALL BE WITHIN 0.25 BREAK ALL SHARP EDGES 0.10/0.20 MAX FILLETS & CORNERS SHALL BE 0.40 MAX

EMB Solutions

TITLE
WELD PREP DETAILS
 MATERIAL
 DRWG NO
D10WP
 REV

REV	ECN	DRAWN	APPD	DATE
-	SKETCH	-	-	18/10/04