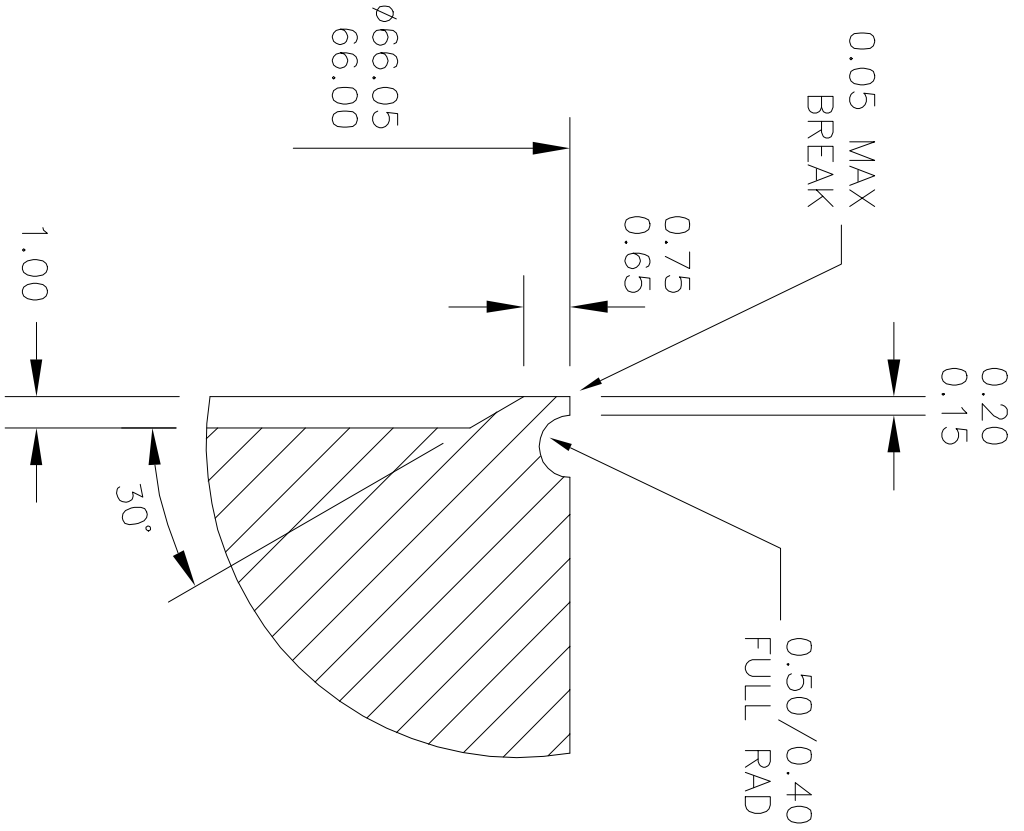
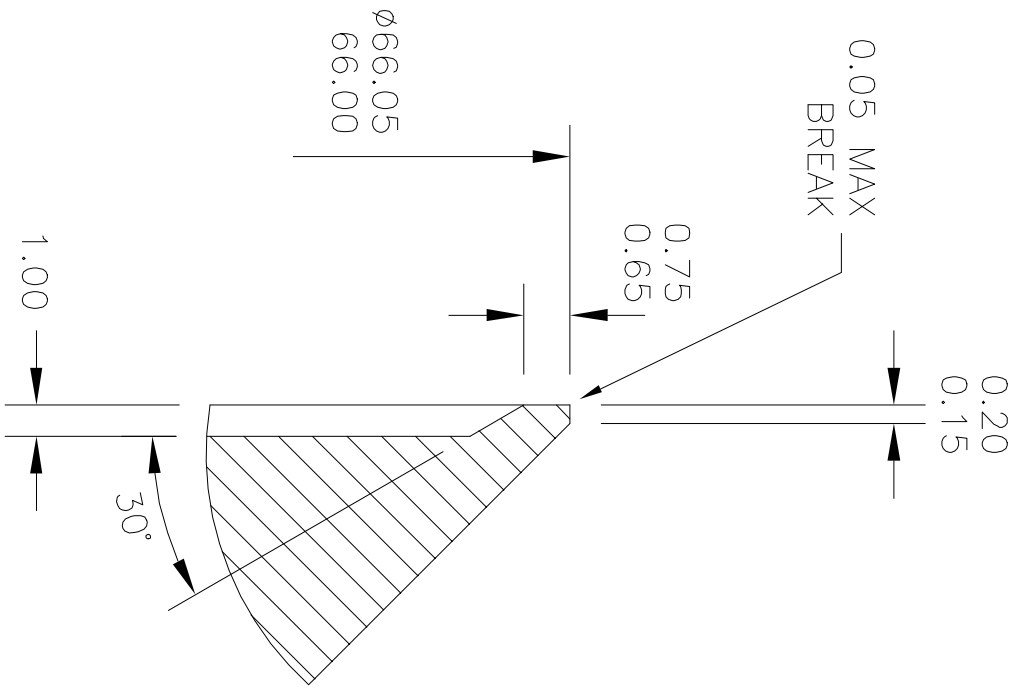


ITEM	DESCRIPTION	QTY	PART NUMBER
—	WELD PREP DETAILS	—	—



OR



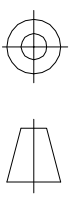
**CONFIDENTIALITY**

THE INFORMATION DISCLOSED IN THIS DRAWING IS PROPRIETARY & REMAINS THE PROPERTY OF EWB SOLUTIONS. DISCLOSURE &/OR REPRODUCTION BY ANY METHOD IS NOT PERMITTED WITHOUT OBTAINING WRITTEN AUTHORISATION

**TOLERANCES UNLESS OTHERWISE STATED**

- 0 DEC PLACES ±0.25
- 1 DEC PLACE ±0.10
- 2 DEC PLACES ±0.05
- ANGLES ±2°
- MACHINED SURFACES 0.8

**THIRD ANGLE PROJECTION**



UNLESS OTHERWISE SPECIFIED ALL DIMENSIONS ARE IN MM & SURFACE FINISHES IN µm Ra  
COMMON CENTRE LINES SHALL BE WITHIN 0.25 BREAK ALL SHARP EDGES 0.10/0.20 FILETS & CORNERS SHALL BE 0.40 MAX



**TITLE WELD PREP DETAILS**

REV	ECN	DRAWN	APPD	DATE
---	---	SKETCH	---	20/10/03
MATERIAL	DRWG NO	REV		
---	D11WP	---		