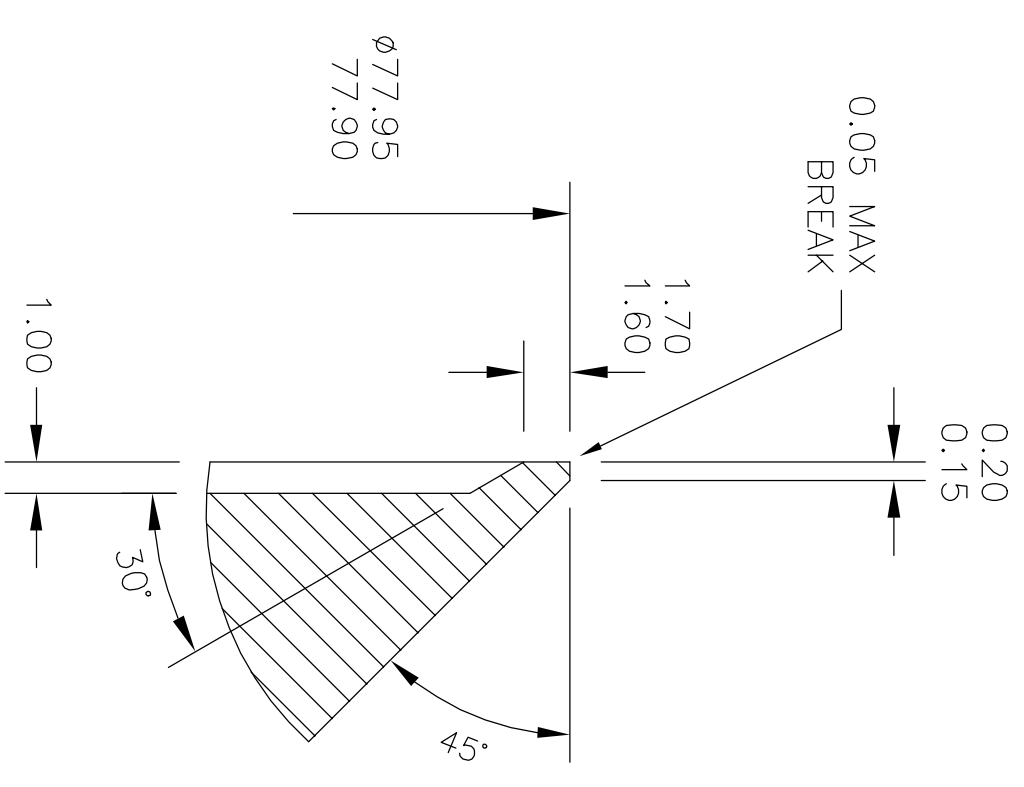
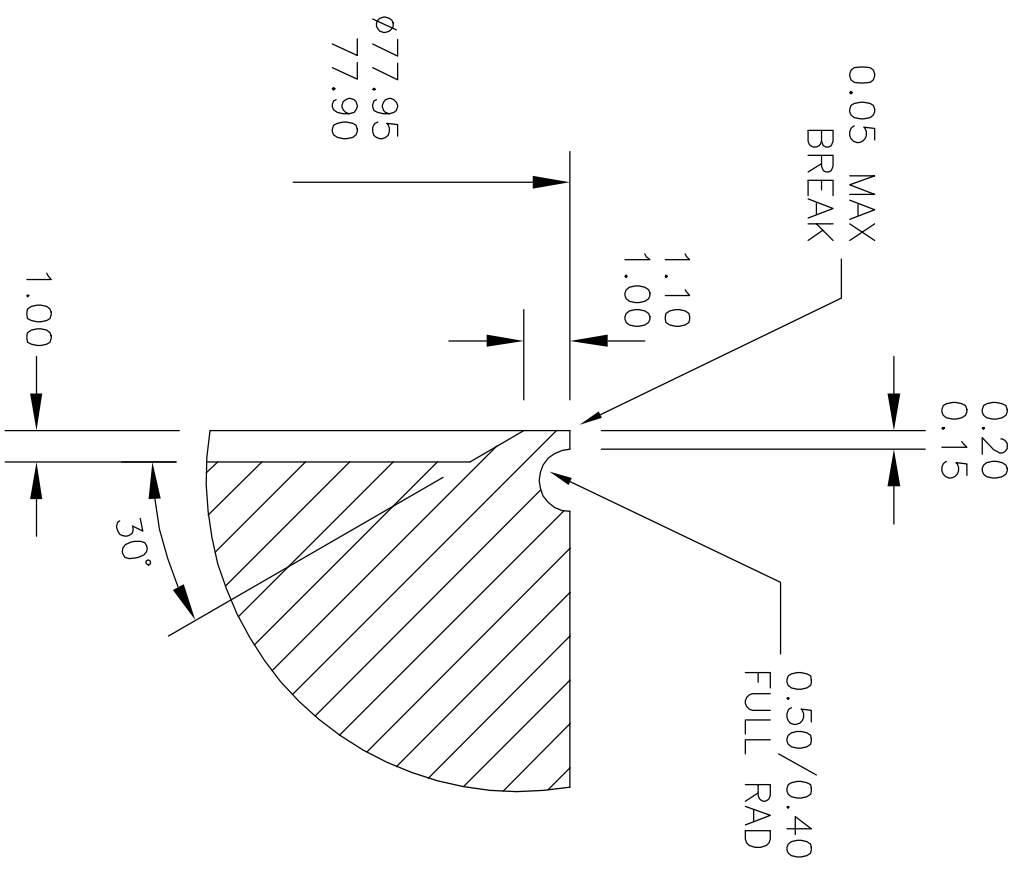


ITEM	DESCRIPTION	QTY	PART NUMBER
—	WELD PREP DETAILS	—	—



OR

REV	ECN	DRAWN	APPD	DATE
---	---	SKETCH	---	05/07/06

CONFIDENTIALITY
 THE INFORMATION DISCLOSED IN THIS DRAWING IS PROPRIETARY & REMAINS THE PROPERTY OF EWB SOLUTIONS. DISCLOSURE &/OR REPRODUCTION BY ANY METHOD IS NOT PERMITTED WITHOUT OBTAINING WRITTEN AUTHORIZATION

TOLERANCES UNLESS OTHERWISE STATED
 0 DEC PLACES ±0.25
 1 DEC PLACE ±0.10
 2 DEC PLACES ±0.05
 ANGLES ±2°
 MACHINED SURFACES $\sqrt{0.8}$

THIRD ANGLE PROJECTION
 UNLESS OTHERWISE SPECIFIED ALL DIMENSIONS ARE IN MM & SURFACE FINISHES IN $\mu\text{m Ra}$
 COMMON CENTRE LINES SHALL BE WITHIN 0.25 BREAK ALL SHARP EDGES 0.10/0.20 FILETS & CORNERS SHALL BE 0.40 MAX

EWB Solutions

TITLE: WELD PREP DETAILS

MATERIAL: -----

DRWG NO: D16WP

REV: ---