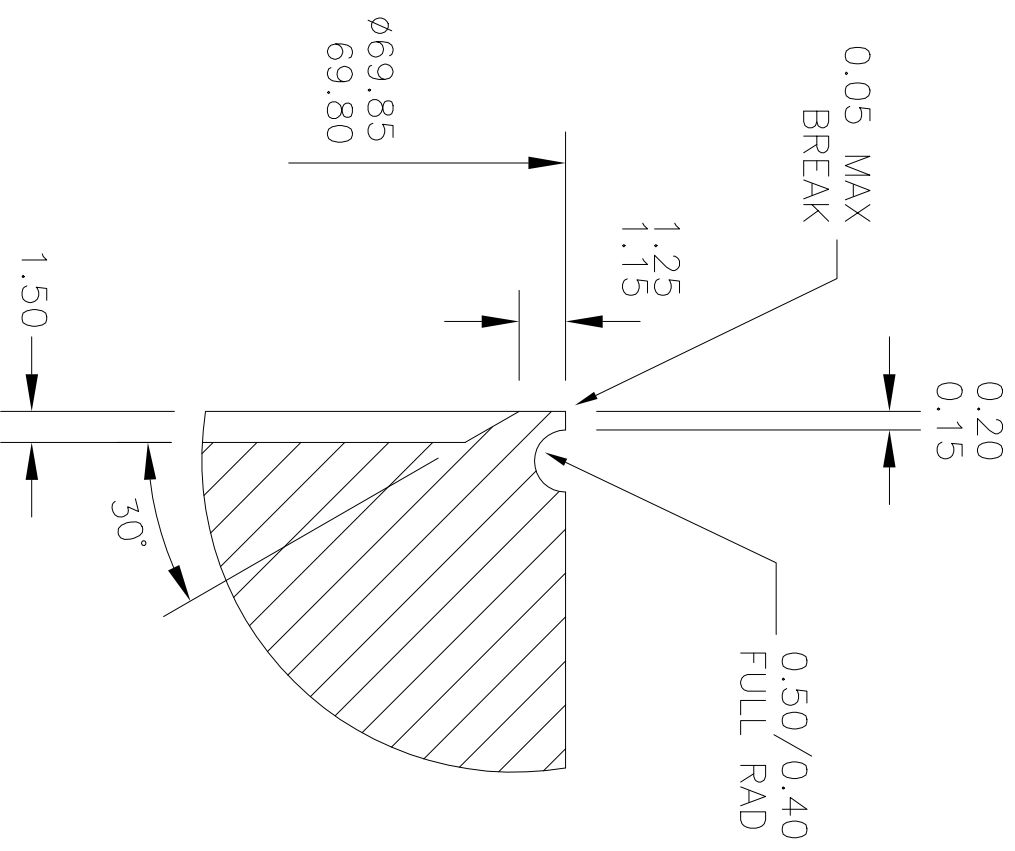
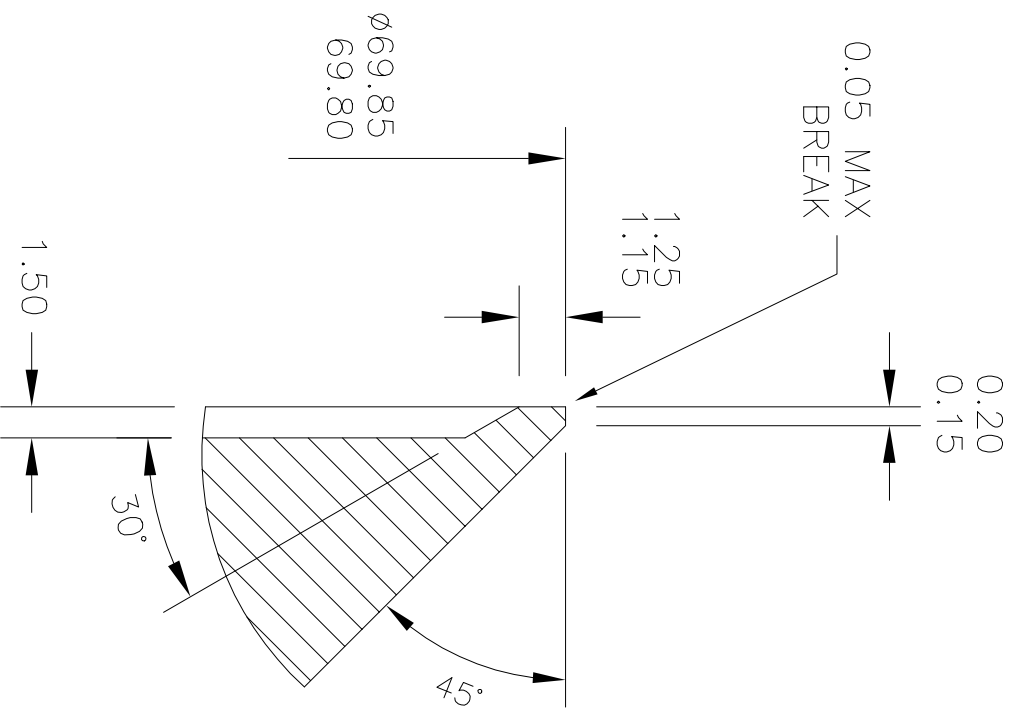


ITEM	DESCRIPTION	QTY	PART NUMBER
—	WELD PREP DETAILS	—	—



OR



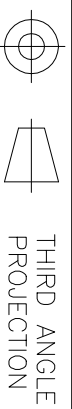
CONFIDENTIALITY

THE INFORMATION DISCLOSED IN THIS DRAWING IS PROPRIETARY & REMAINS THE PROPERTY OF EWB SOLUTIONS. DISCLOSURE &/OR REPRODUCTION BY ANY METHOD IS NOT PERMITTED WITHOUT OBTAINING WRITTEN AUTHORIZATION

TOLERANCES UNLESS OTHERWISE STATED

0 DEC PLACES ±0.25
1 DEC PLACE ±0.10
2 DEC PLACES ±0.05
ANGLES ±2°
MACHINED SURFACES ∇ 0.8

THIRD ANGLE PROJECTION



UNLESS OTHERWISE SPECIFIED ALL DIMENSIONS ARE IN MM & SURFACE FINISHES IN µM R_a COMMON CENTRE LINES SHALL BE WITHIN 0.25 BREAK ALL SHARP EDGES 0.10/0.20 FILETS & CORNERS SHALL BE 0.40 MAX

EWB Solutions

TITLE WELD PREP DETAILS

REV	MATERIAL	DRWG NO	REV
---	---	D22WP	—

REV	ECN	DRAWN	APPD	DATE
---	---	SKETCH	---	26/03/10