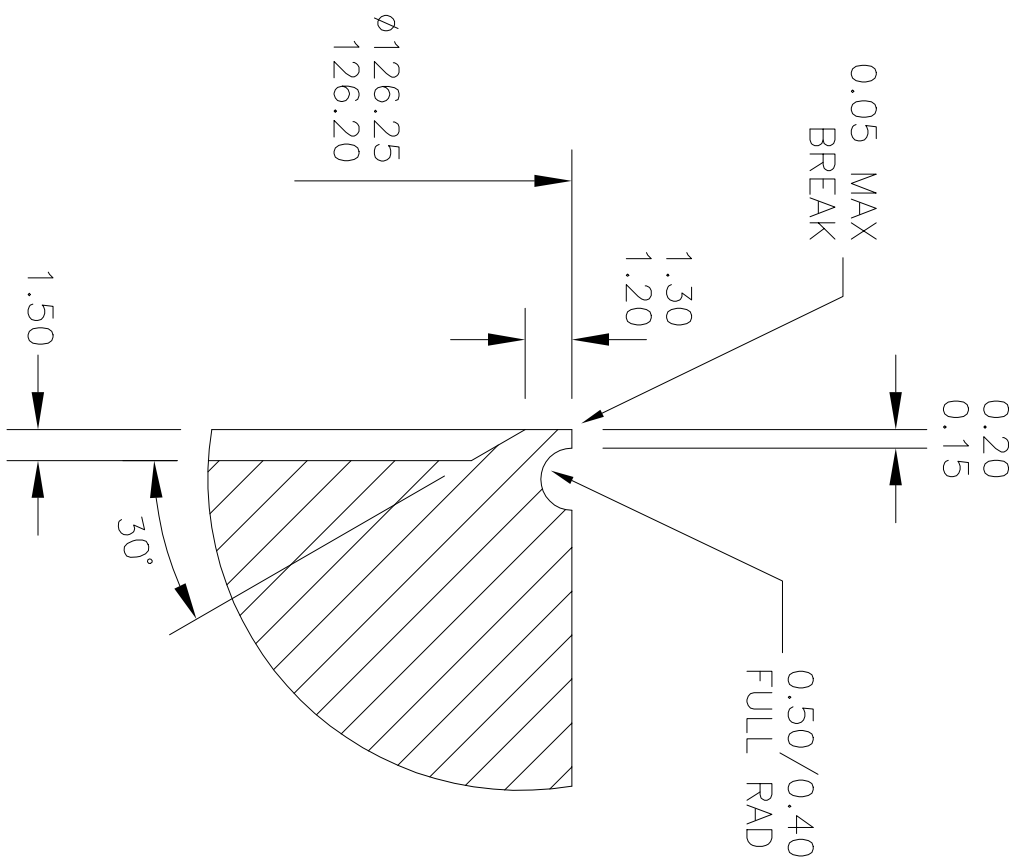
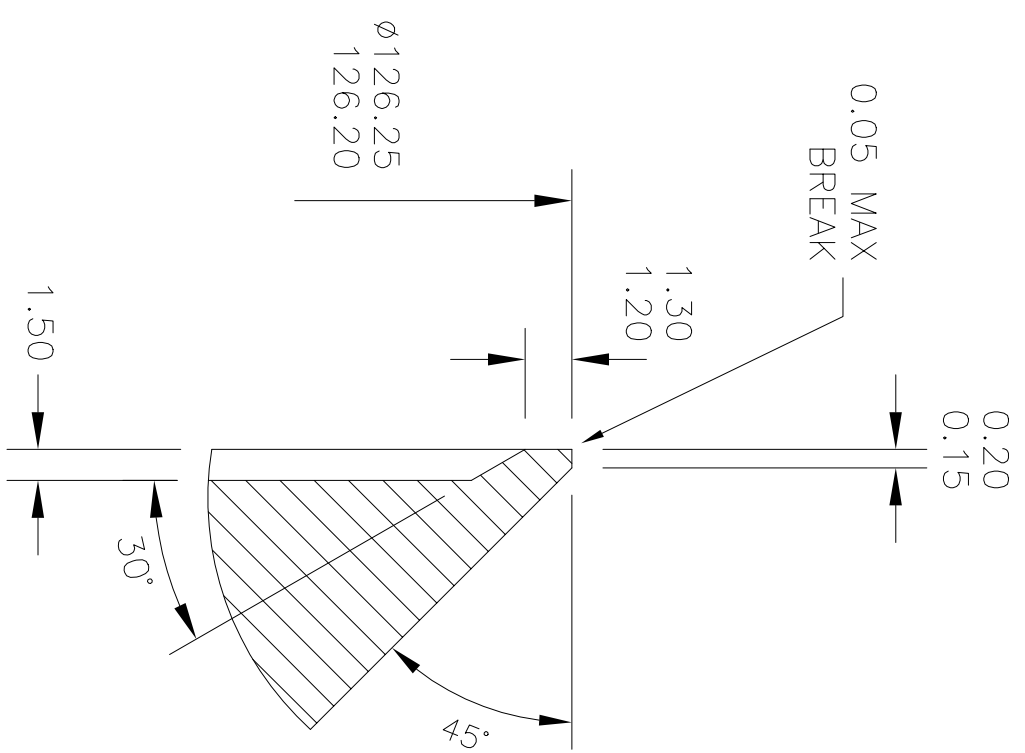


ITEM	DESCRIPTION	QTY	PART NUMBER
-	WELD PREP DETAILS		



OR



CONFIDENTIALITY

THE INFORMATION DISCLOSED IN THIS DRAWING IS PROPRIETARY & REMAINS THE PROPERTY OF EWB SOLUTIONS. DISCLOSURE &/OR REPRODUCTION BY ANY METHOD IS NOT PERMITTED WITHOUT OBTAINING WRITTEN AUTHORIZATION

TOLERANCES UNLESS OTHERWISE STATED

0 DEC PLACES ±0.25
 1 DEC PLACE ±0.10
 2 DEC PLACES ±0.05

ANGLES ±2°

MACHINED SURFACES ∇ 0.8

THIRD ANGLE PROJECTION

UNLESS OTHERWISE SPECIFIED ALL DIMENSIONS ARE IN MM & SURFACE FINISHES IN µm R_a COMMON CENTRE LINES SHALL BE WITHIN 0.25 BREAK ALL SHARP EDGES 0.10/0.20 FILLETS & CORNERS SHALL BE 0.40 MAX

EWB Solutions

TITLE: WELD PREP DETAILS

MATERIAL: _____

DRWG NO: D23WP

REV: -

REV	ECN	DRAWN	APPD	DATE
----	SKETCH	----	----	21/06/11